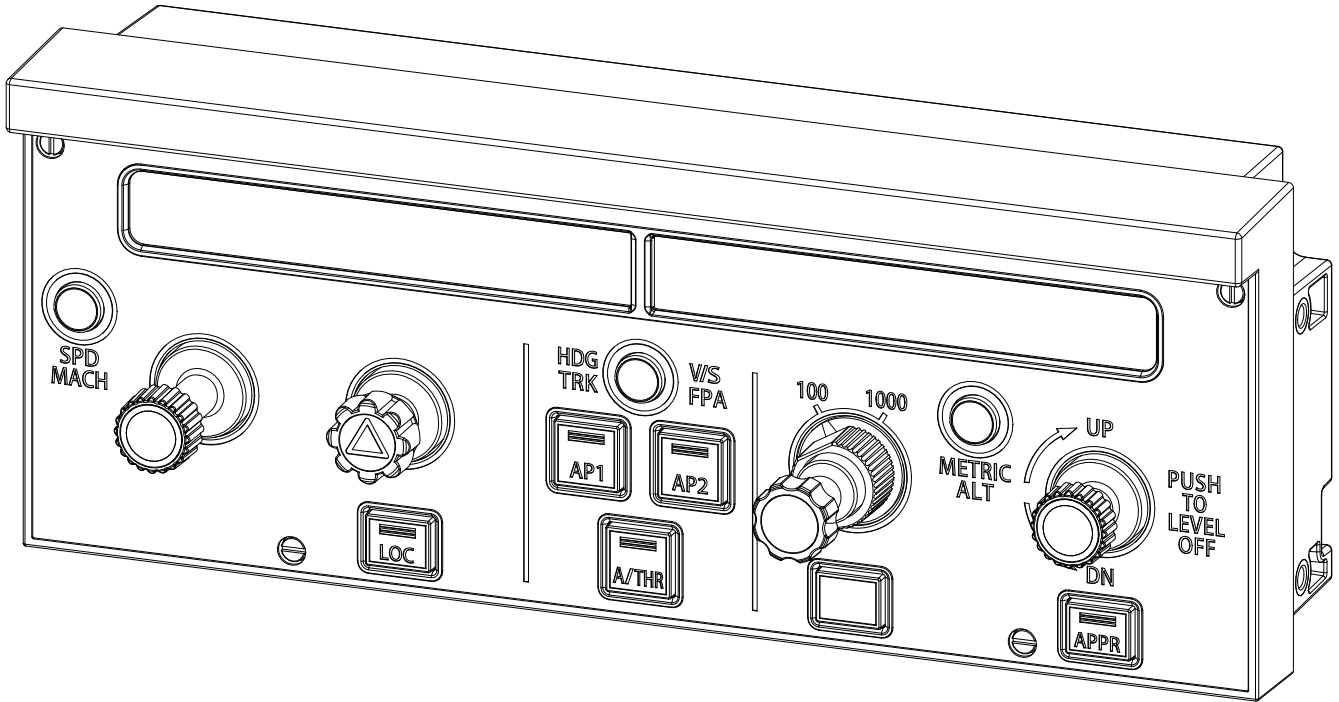


FCU1

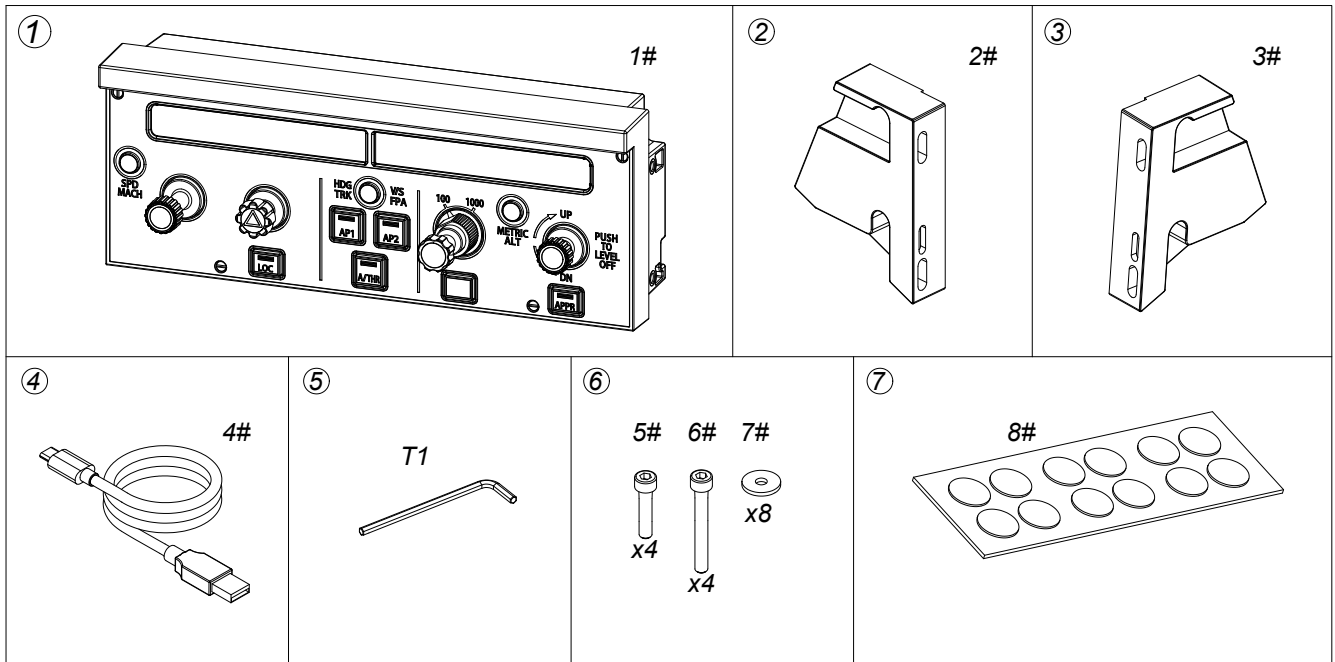
User Manual V1.0 2024.01



Catalog:

Package List	1
1 Parameters	2
1.1 Performance Parameters	2
1.2 Applicable Models	3
1.3 Dimensions	4
1.4 Installation Dimensions	5
2 Function	6
2.1 Mechanical/Special Functions	6
2.2 Buttons	6
2.3 Adjustment Methods	7
3 Assembly and Disassembly of Components	7
4 Installation Methods	7
4.1 Bracket Mounting	7
4.2 Gaming Seat Mounting	11
4.3 Cockpit Mounting	11
4.4 Cascading	13

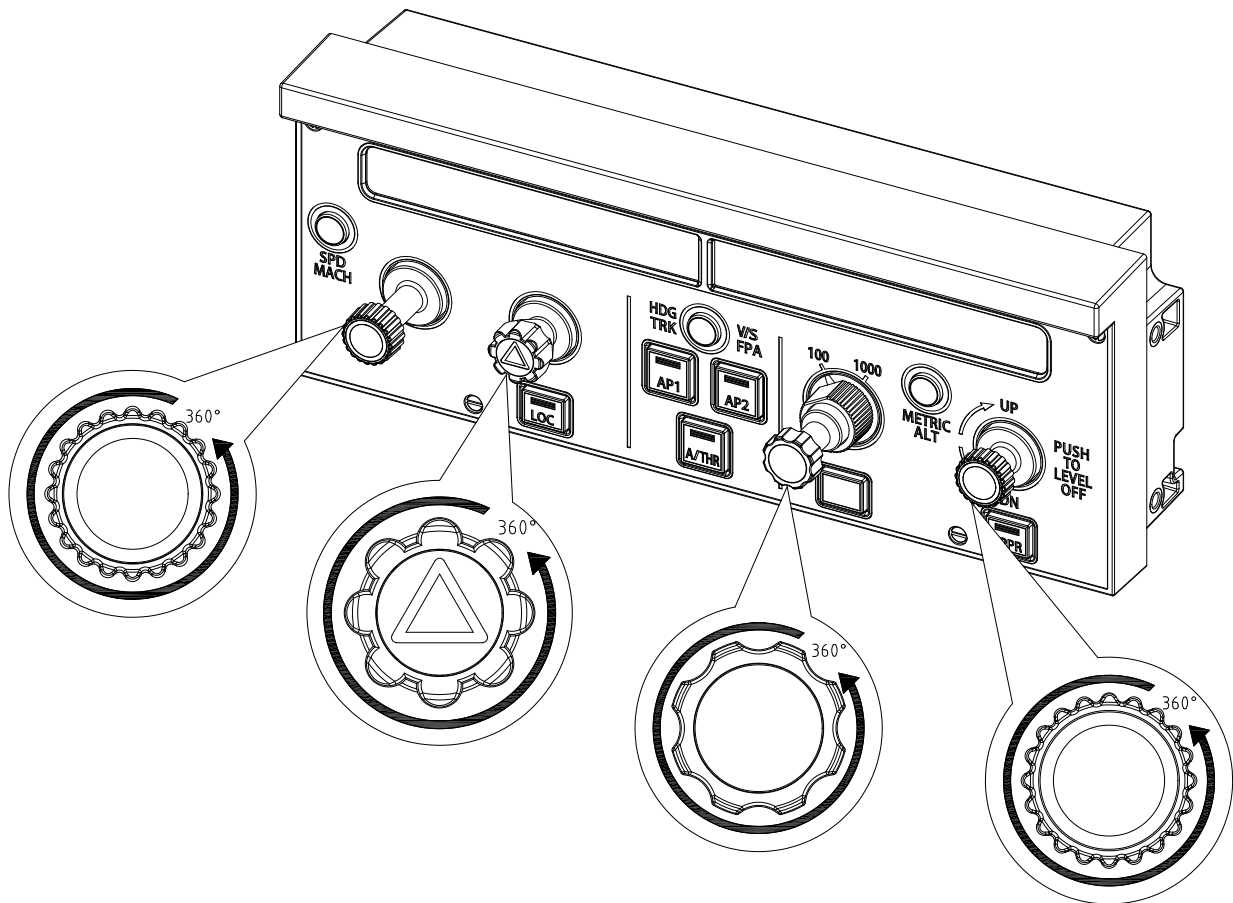
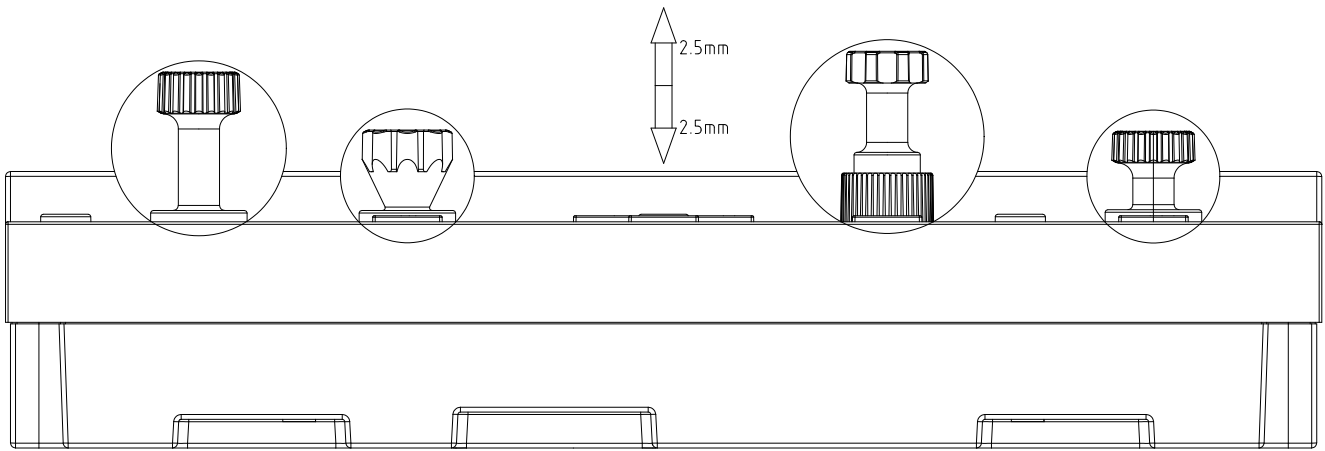
Package List



①	FCU1 (1#)	1
②	Mounting Bracket-left (2#)	1
③	Mounting Bracket-right (3#)	1
④	Data Cable (4#)	1
⑤	Tools Kit (T1)	1
⑥	Accessories Kit 1 (5#-7#)	1
	5#:Hexagon Socket Head Screw M5*16	
	6#:Hexagon Socket Head Screw M5*22	
	7#:Flat Washer M5*10*1;	
⑦	Nanometer Double Sided Adhesive Dots	1

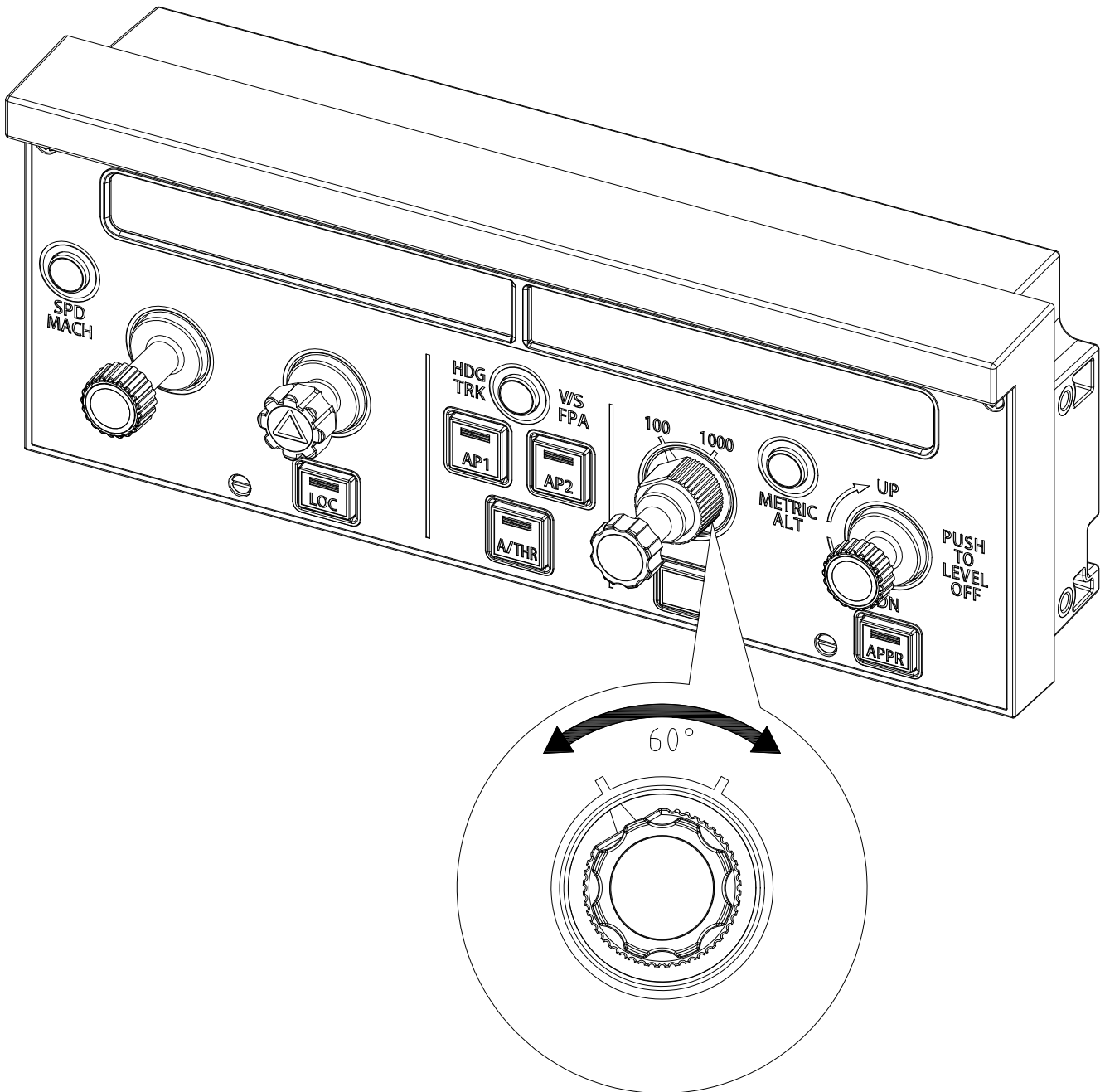
1 Parameters

1.1 Performance Parameters



① 4 knobs, with push and pull stroke of 2.5mm each, and a rotational angle of 360° (without detents).

*Note: Only push, pull, and rotate, do not bend; bending damage force 500gf; maximum rotational torque 150gf · cm, maximum push-pull force 1200gf.



② This gear's rotational angle is 60° .

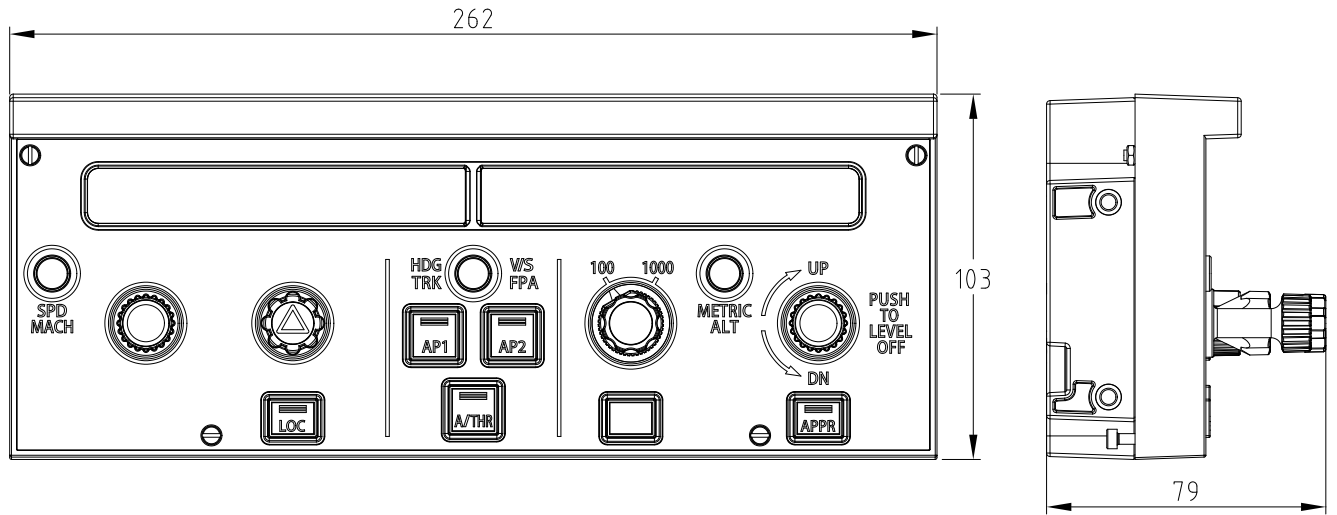
*Note: Only rotate, do not pull or extract; pulling or extracting damage force 300gf.

1.2 Applicable Models

① Can be used independently.

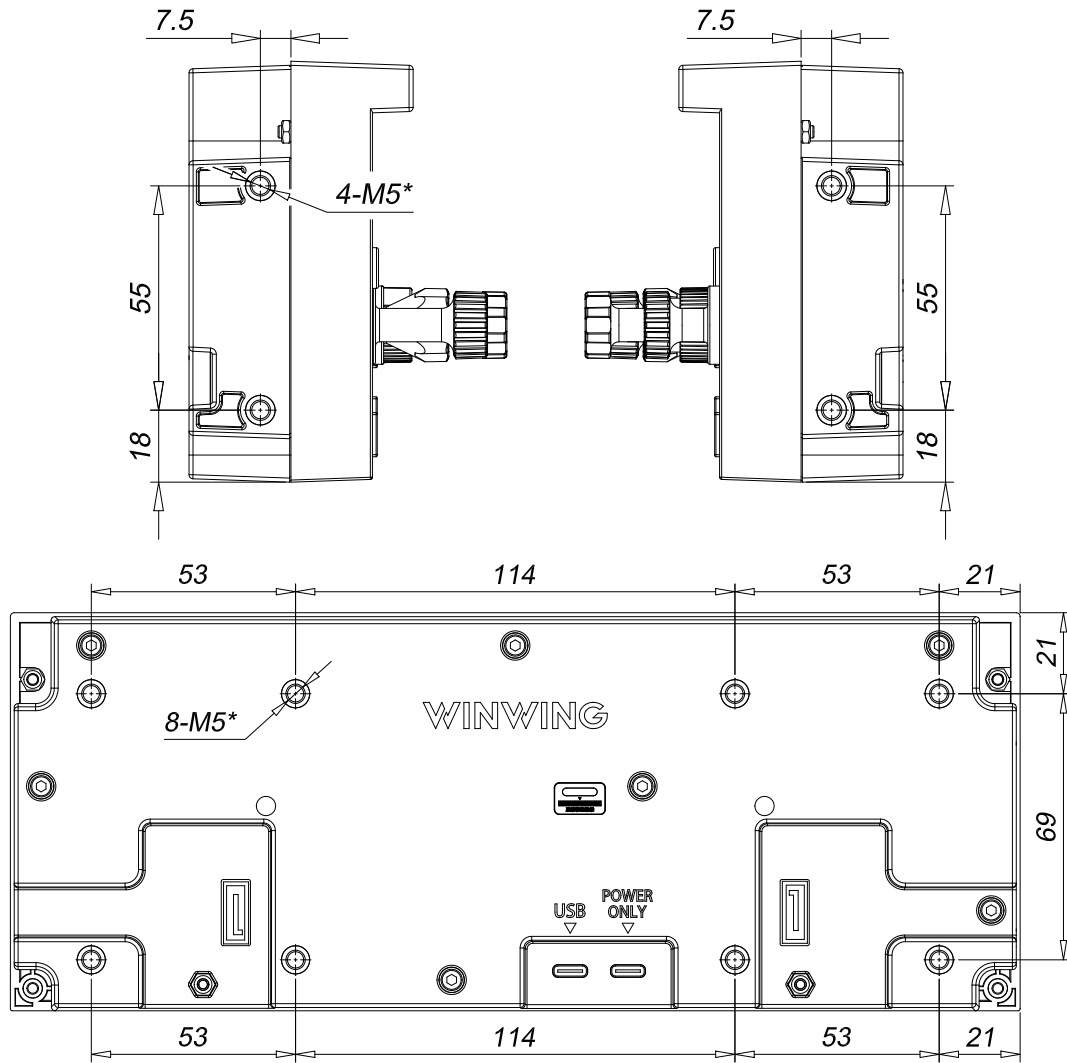
② Can be cascaded with various control panels through the bracket (Stay tuned for the later products).

1.3 Dimensions

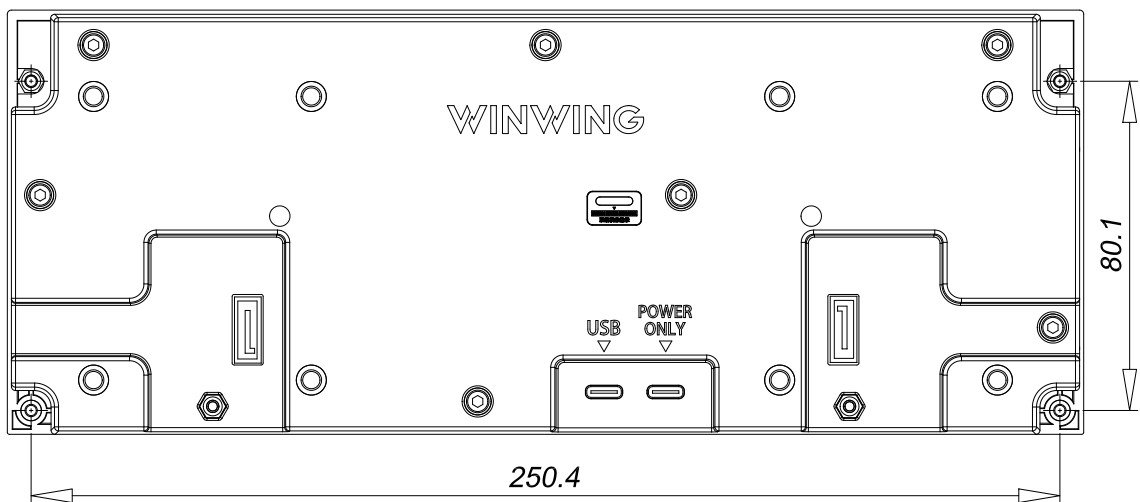


*The product length,width and height is 262mm*103mm*79mm respectively;The weight is 0.5kg=1.1lb.

1.4 Installation Dimensions



*4-M5, 8-M5 maximum depth 5mm.

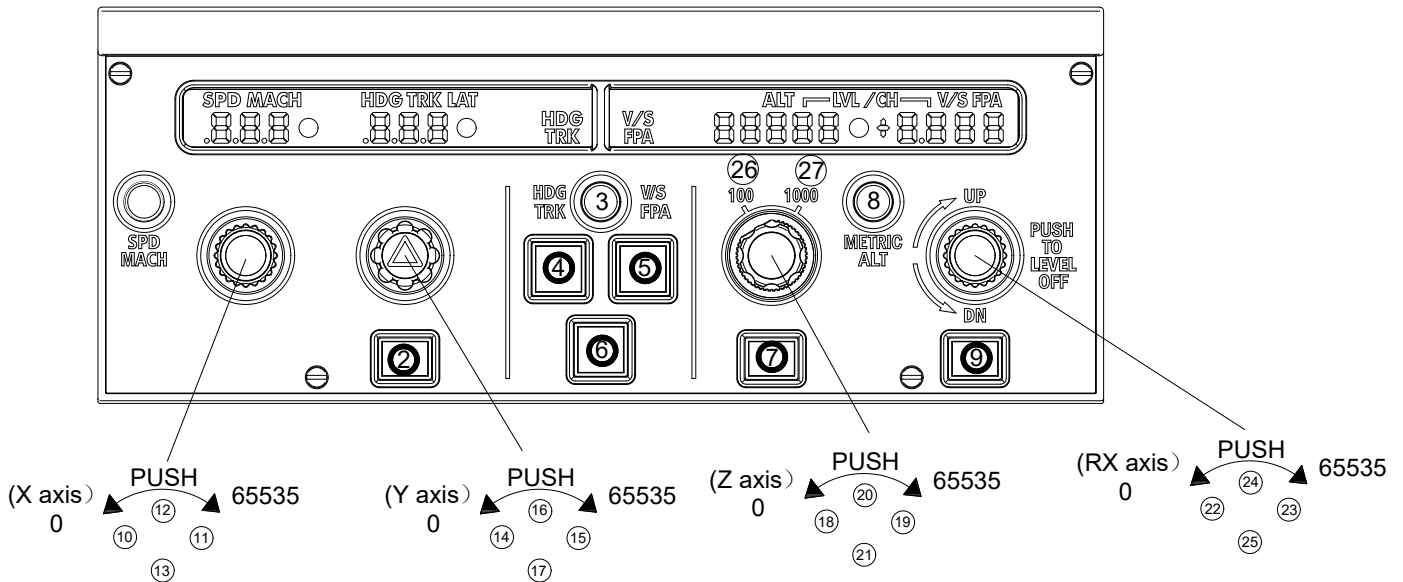


*Diagram showing cockpit panel installation dimensions.

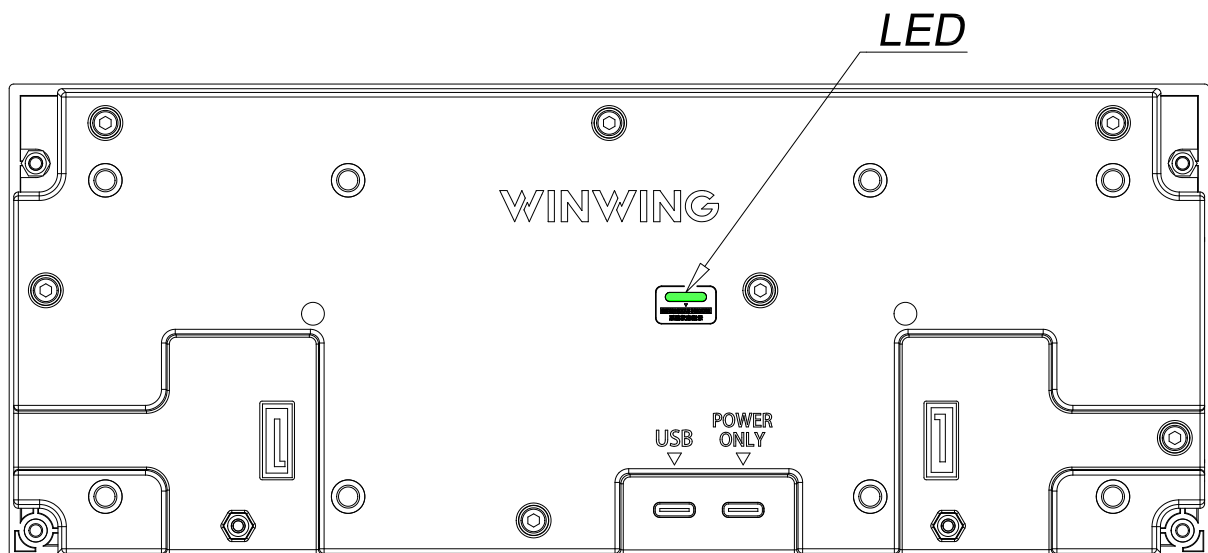
2 Function

2.1 Mechanical/Special Functions

2.2 Buttons



*The Z axis cannot rotate simultaneously with the 26th and 27th buttons; when operating the 26th and 27th buttons, the Z axis rotation signal will be automatically blocked.



*LED Status Display:

Steady slow flashing in green (1s interval) – BOOT mode.

Slow flashing in green (1s interval) for 5 times, then steady ON – Operational mode.

Slow flashing in green (1s interval) for 5 times, then OFF – Power supply only mode..

2.3 Adjustment Methods

\

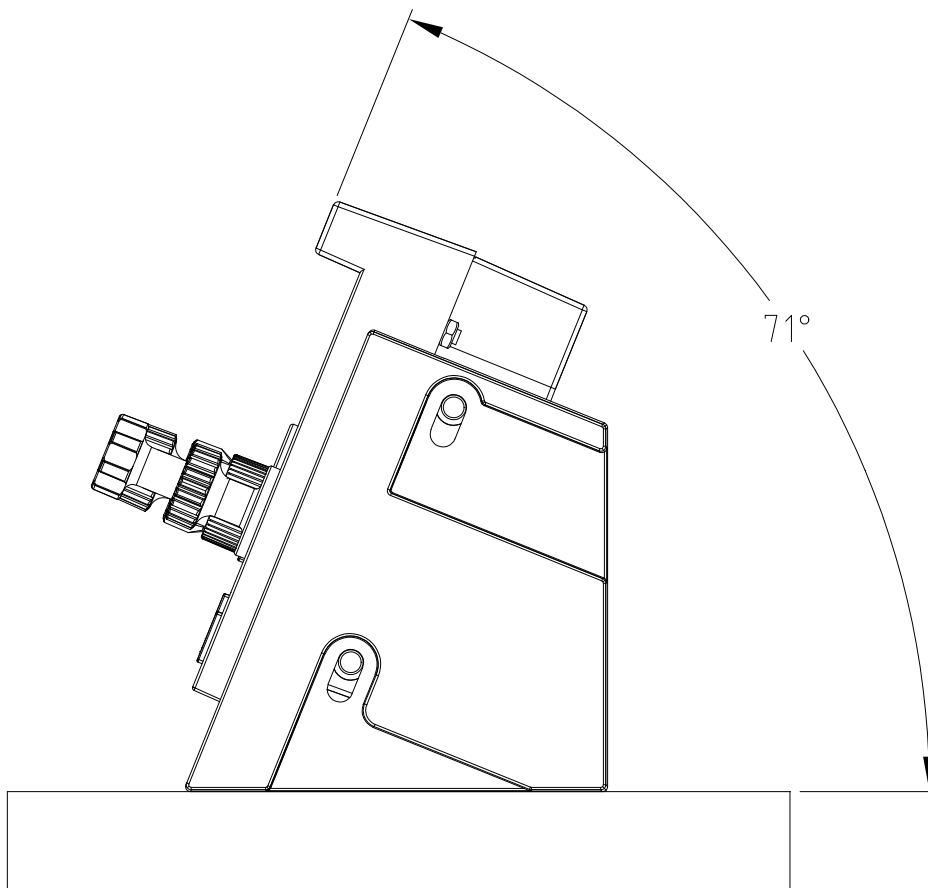
3 Assembly and Disassembly of Components

\

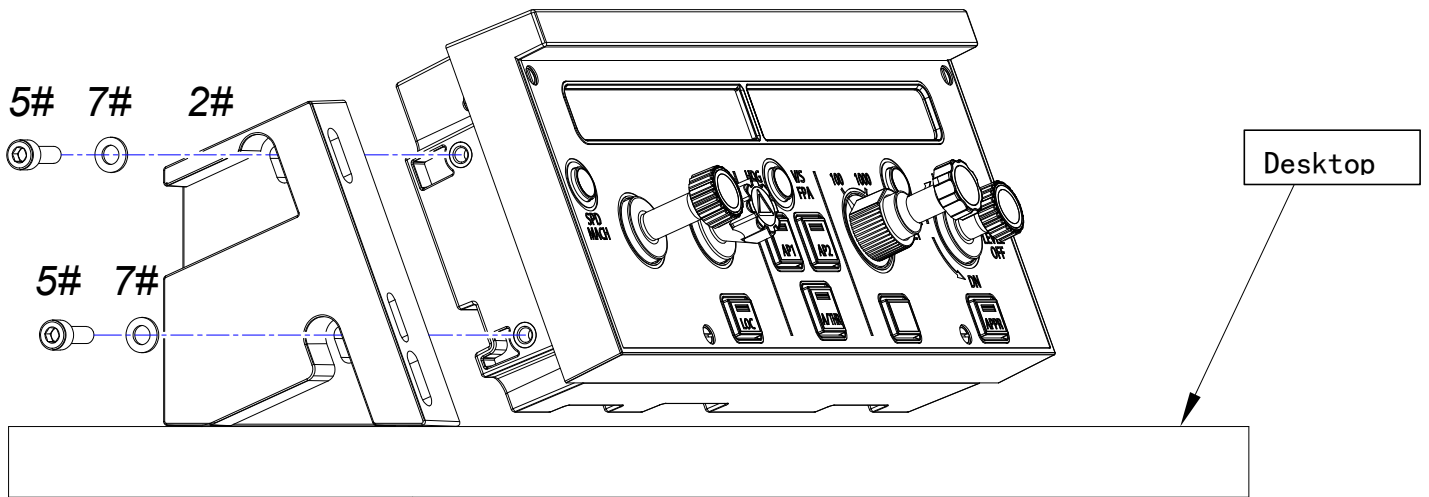
4 Installation Methods

4.1 Bracket Installation Method 1 (Recommended Installation Method)

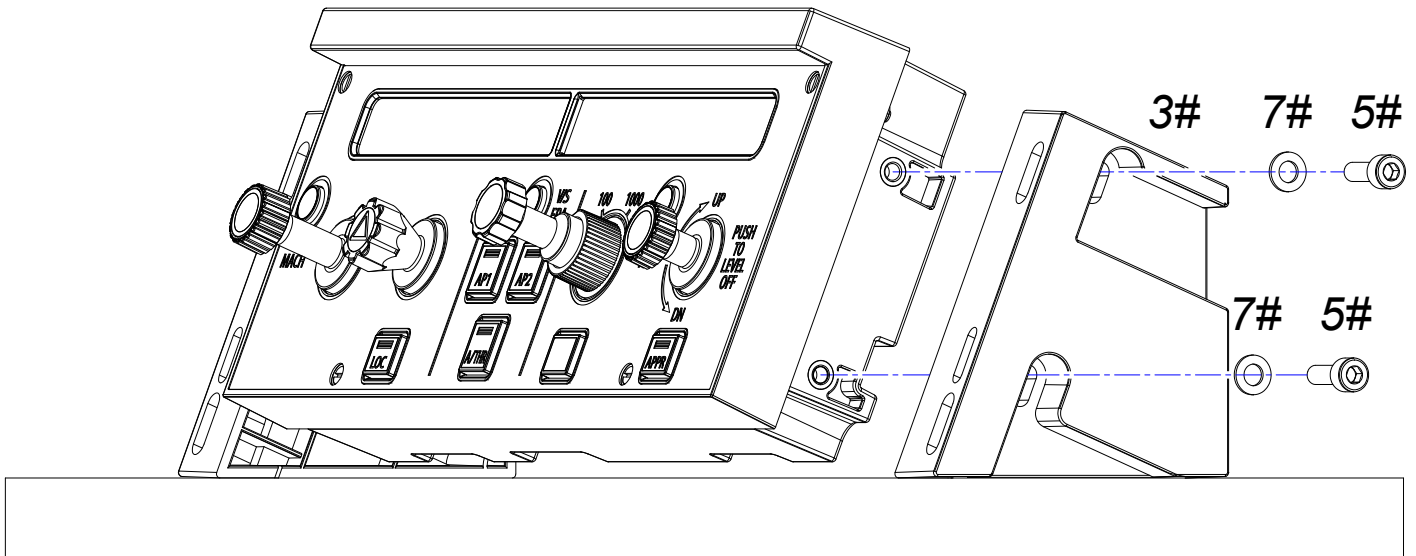
① Bracket Installation Method: Install at a 71-degree angle with the desktop (actual Aircraft perspective is 71 degrees).



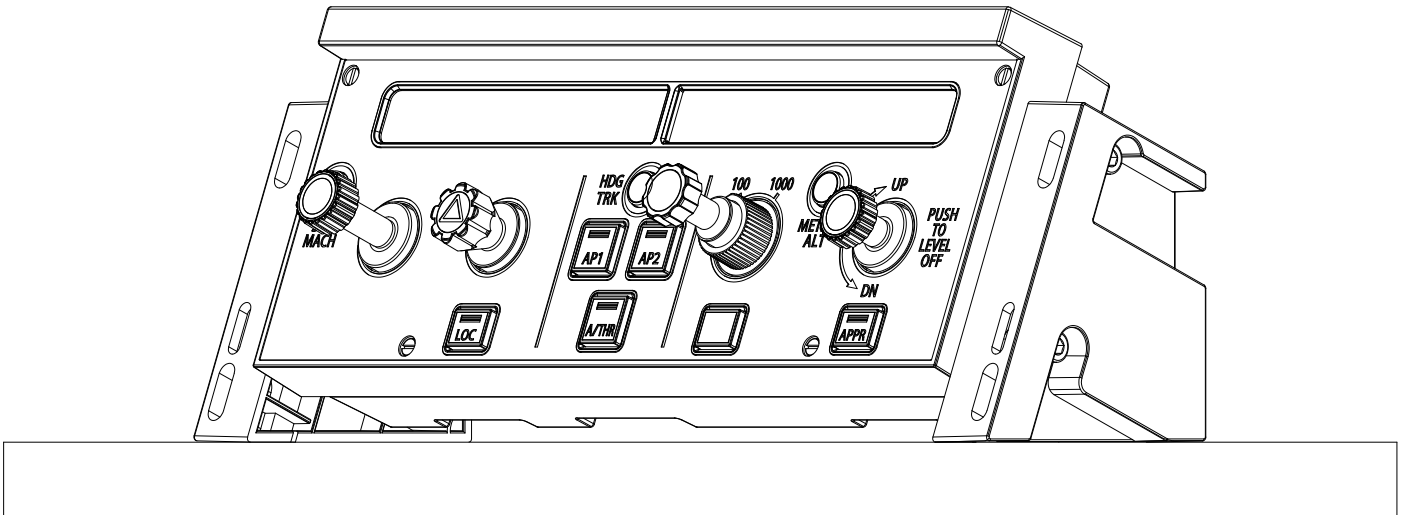
② Left and right bracket installation methods.



*Turn the screw in place, but do not tighten it yet.



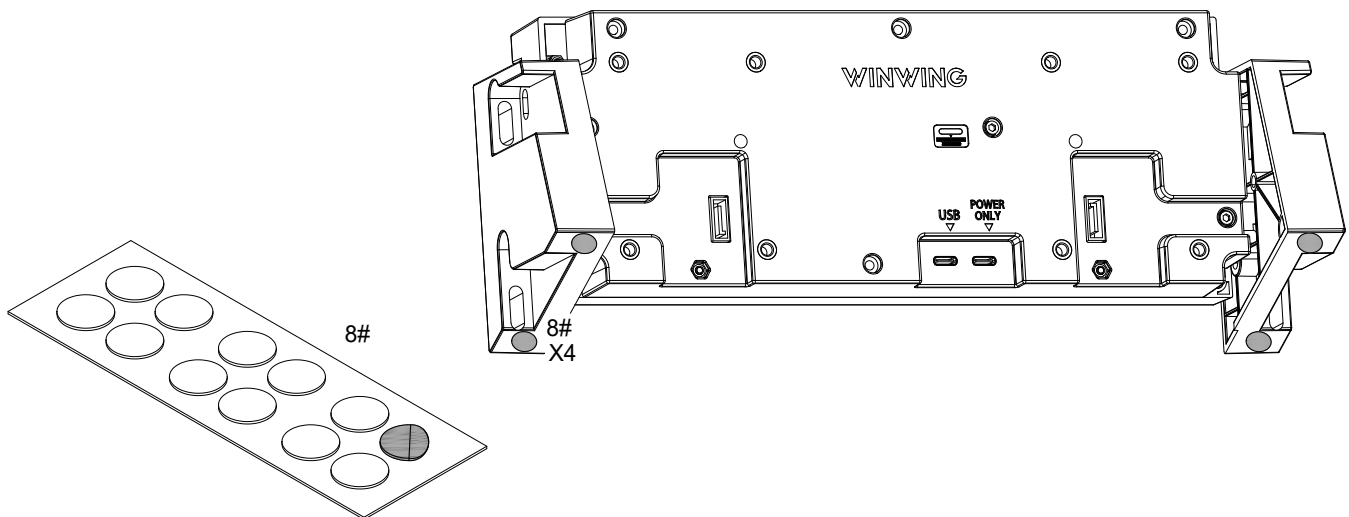
*Turn the screw in place, but do not tighten it yet.



*Adjust the bracket position up and down until it sits steadily on the desktop before tightening the screws.

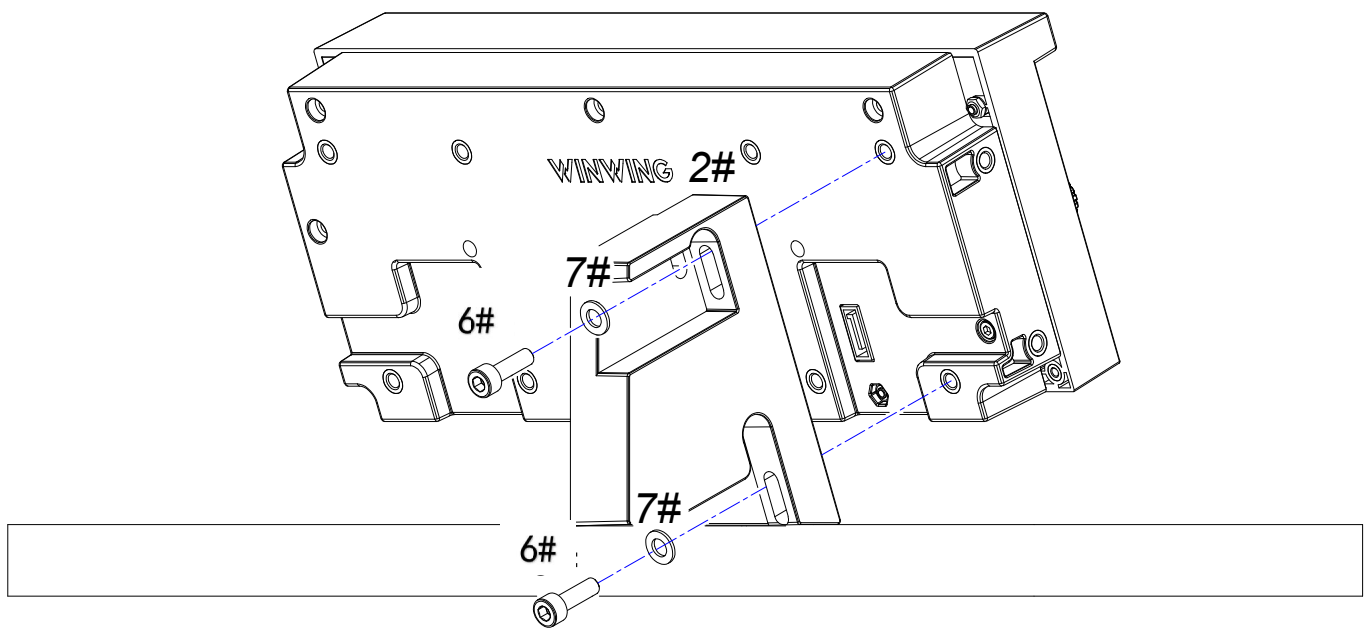
*Tighten the screws until there is no wobbling; over-tightening may cause damage.

③Apply Nanometer Double Sided Adhesive Dots. (8#)

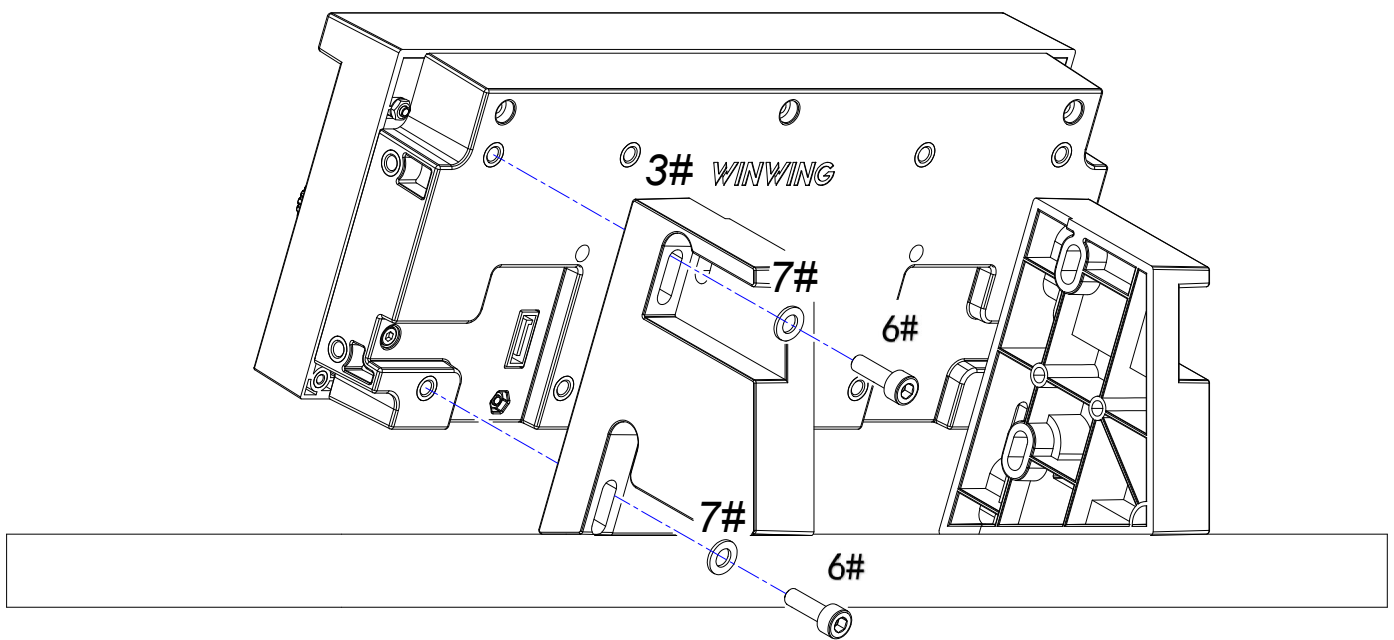


*Clean the dust off the bracket surface before installation.

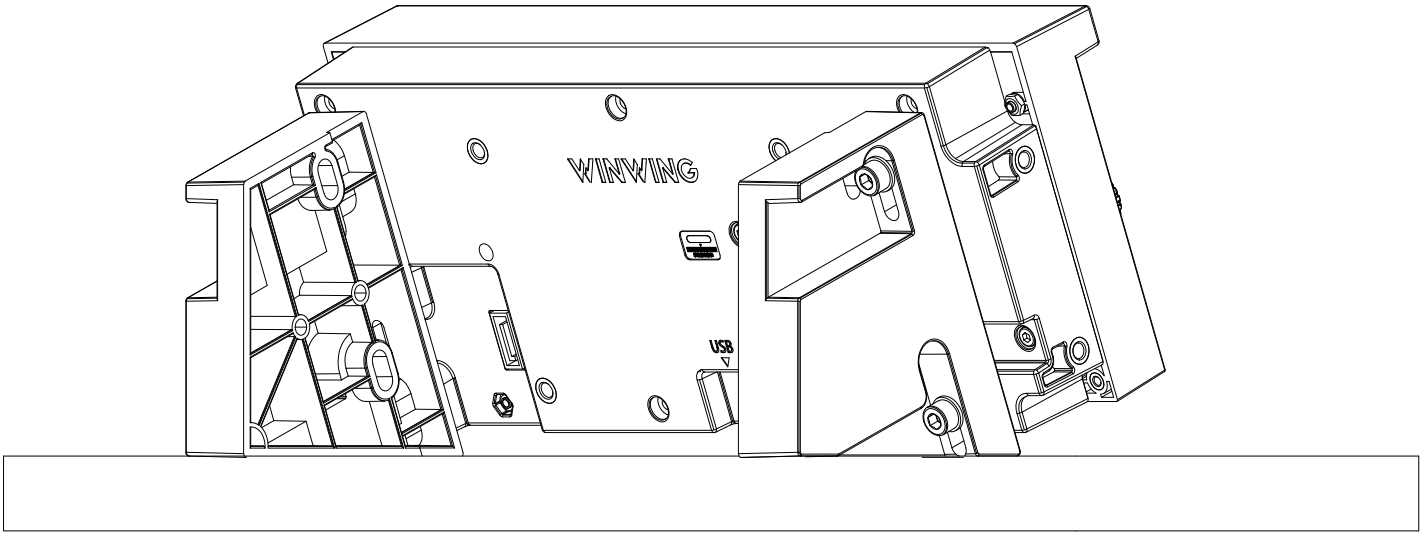
Bracket Installation Method 2



*Turn the screw in place, but do not tighten it yet.



*Turn the screw in place, but do not tighten it yet.



*Adjust the bracket position up and down until it sits steadily on the desktop before tightening the screws.

*Tighten the screws until there is no wobbling; over-tightening may cause damage.

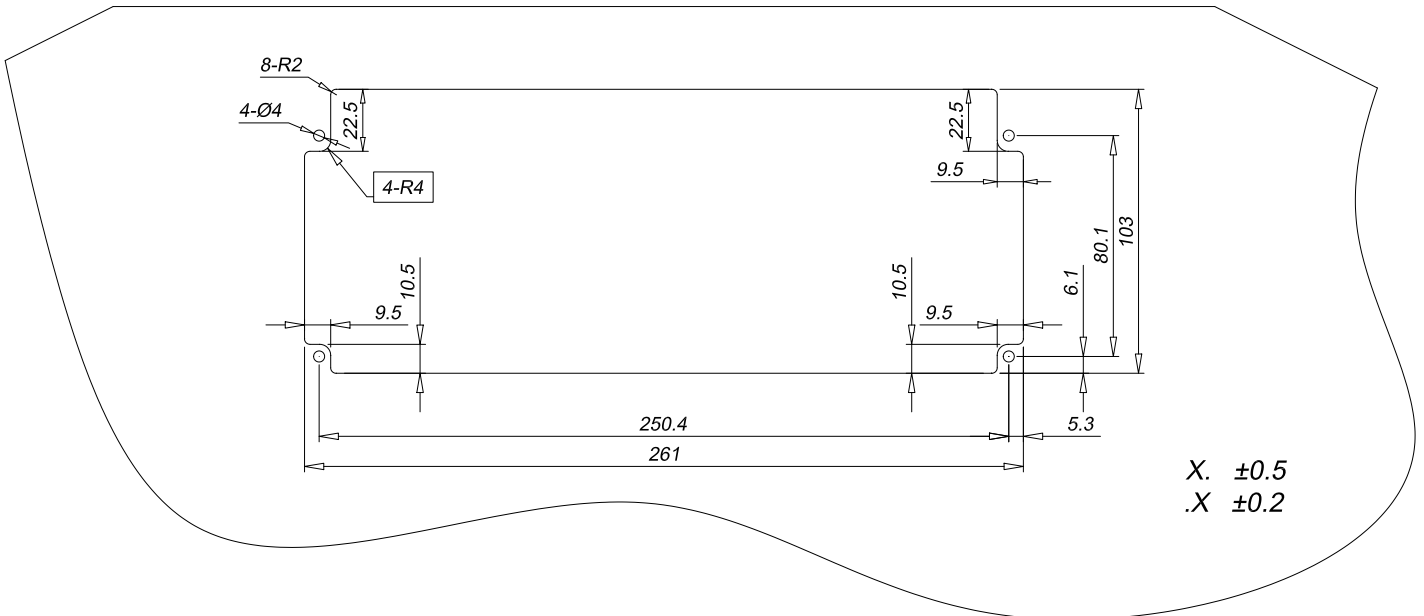
*Paste the Nanometer Double Sided Adhesive Dots to the bottom of the bracket

*Installation method for other mounting holes is the same as above.

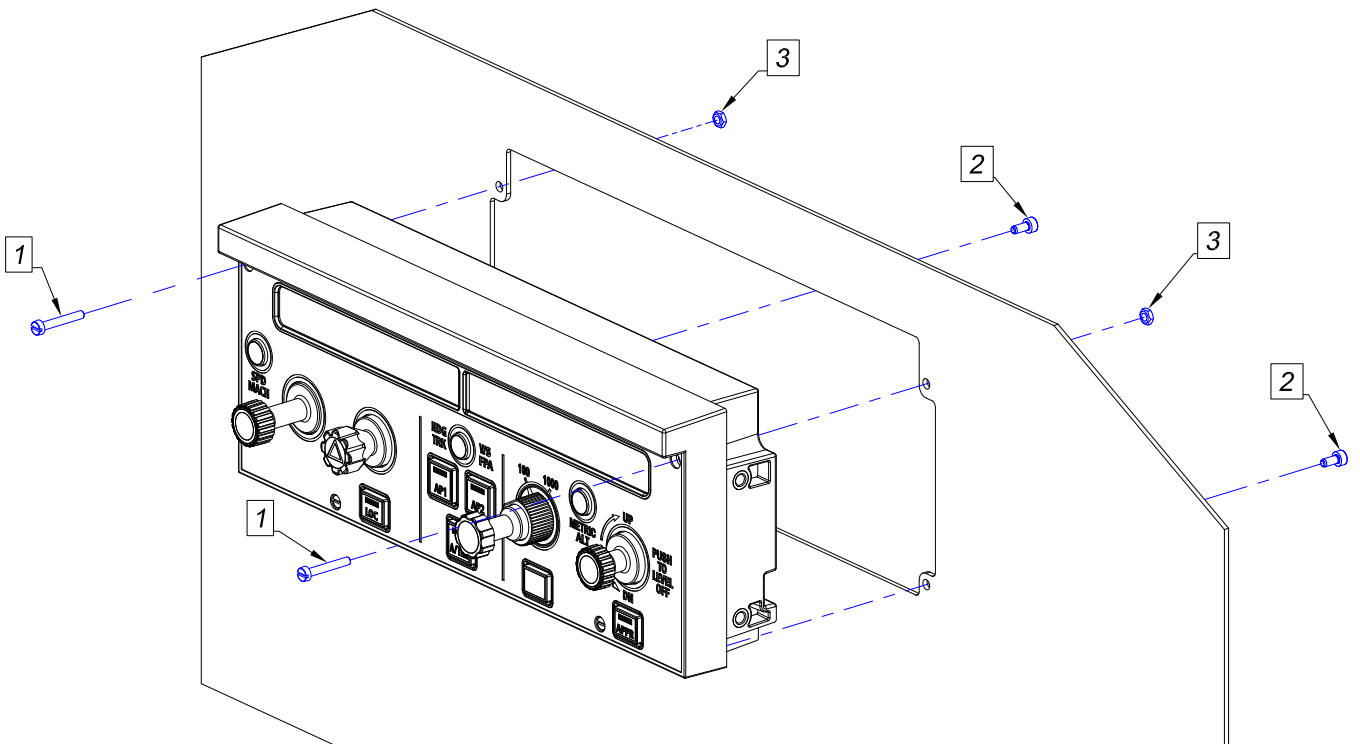
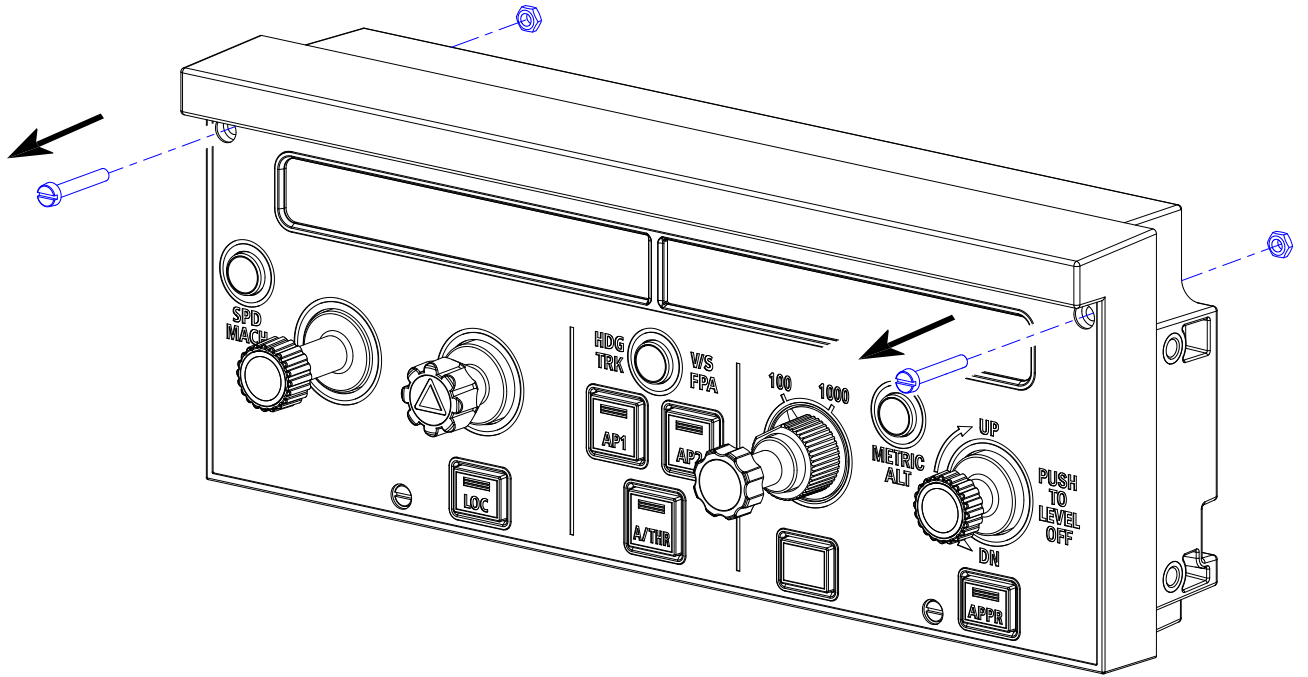
4.2 Gaming Seat Mounting

\

4.3 Cockpit Mounting* Cockpit panel and installation screws need to be provided by the user.



Cockpit panel mounting hole diagram



- ① Remove the screws and keep the nuts.
- ② Install FCU1 on the cockpit panel; screw specifications are as follows:

1	Screw specifications: M3, length = (22~25) + cockpit panel thickness.
2	Hexagon socket head screw M3, length = (5~8) + cockpit panel thickness.
3	M3 Hexagon nut M3

4. 4 Cascading

Can be cascaded with various control panels for installation, please stay tuned for the upcoming products for details.

*内容如有更新，不另行通知，请在线下载
Any updates will be available for online download without further notice.

成都翼胜科技有限责任公司

WWW.WINWING.CN

INFO@WINWING.CN

High-tech International Enterprise Zone No.19 Building, Changshengqiao Road
1111#, Pidu District, Chengdu, China 610000