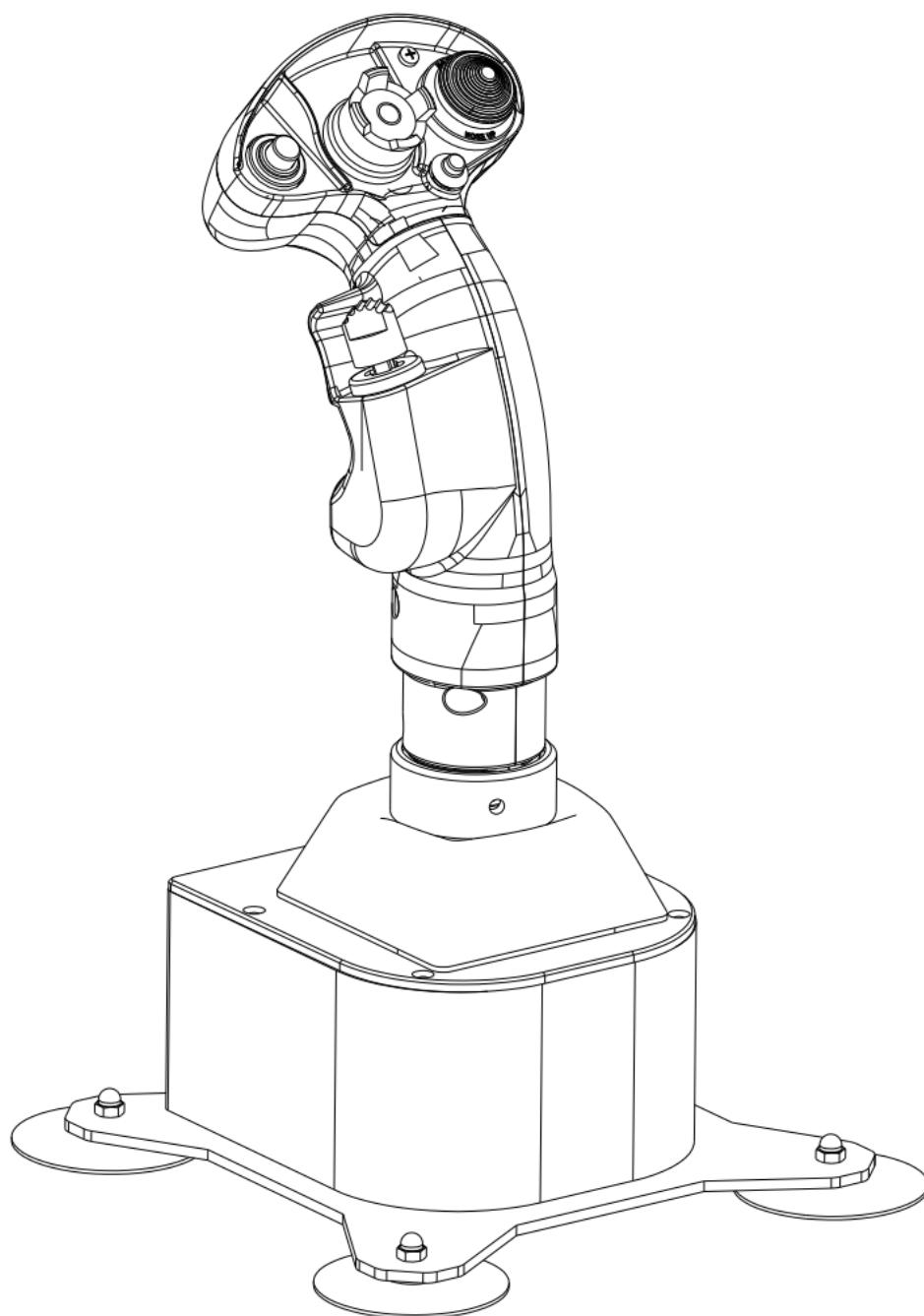


# 18 GRIP+ J2 JOYSTICK BASE

用户手册 CN V1.0 2020.08



# Contents :

1	Contents in the box .....	1
2	Functions .....	1
2.1	Travel distance/Angle .....	1
2.2	Grip Function.....	2
2.3	Free-rotation install.....	2
2.4	Additional function .....	3
3	Dimension .....	3
4	How to connect .....	4
4.1	Parts .....	4
4.2	Connecting base plate. ....	5
5	Installation.....	5

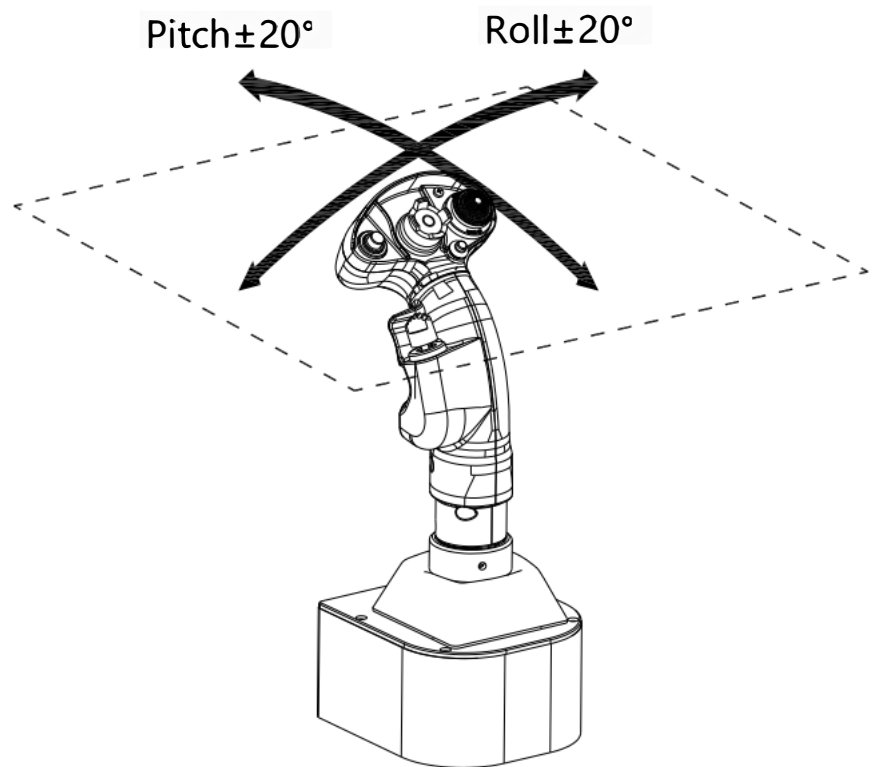
## 1 Contents in the box

1	J2 Base	1
2	18 J-Grip	1
3	J2-Base plate	1
4	Tool Pack	1
5	Accessory	1
6	Instructions	1

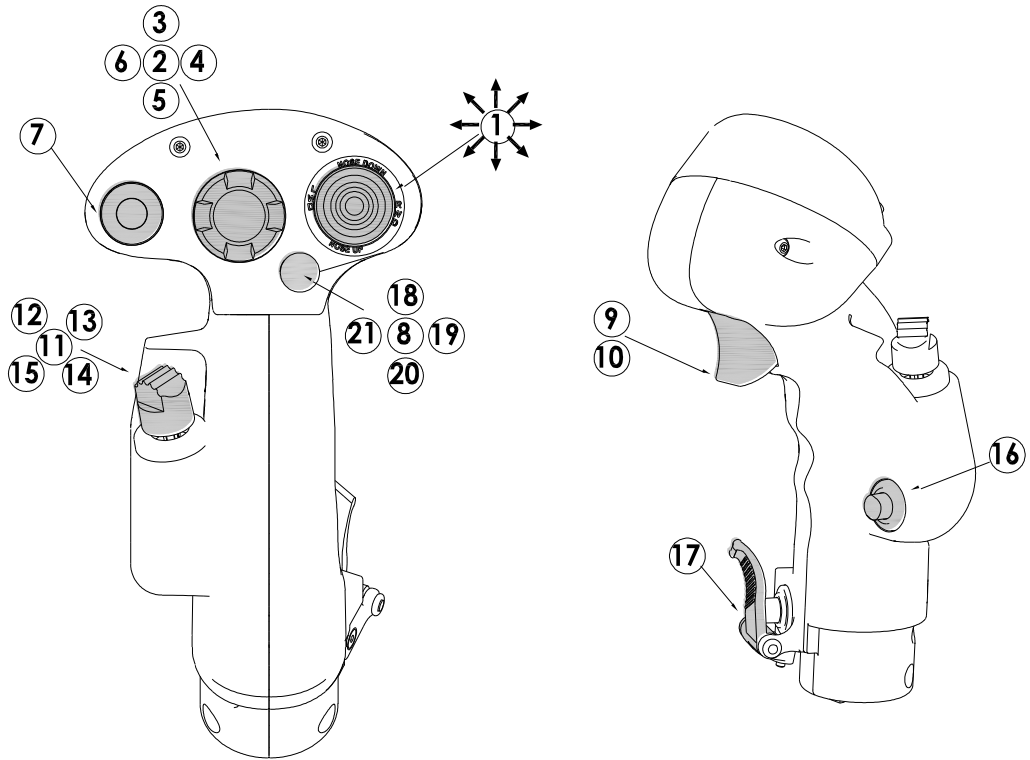
## 2 Functions

### 2.1 Travel distance/Angle

1. Pitch angular limit 40 degree;
2. Roll angular limit 40 degree.



## 2.2 Grip Function



## 2.3 Free-rotation install

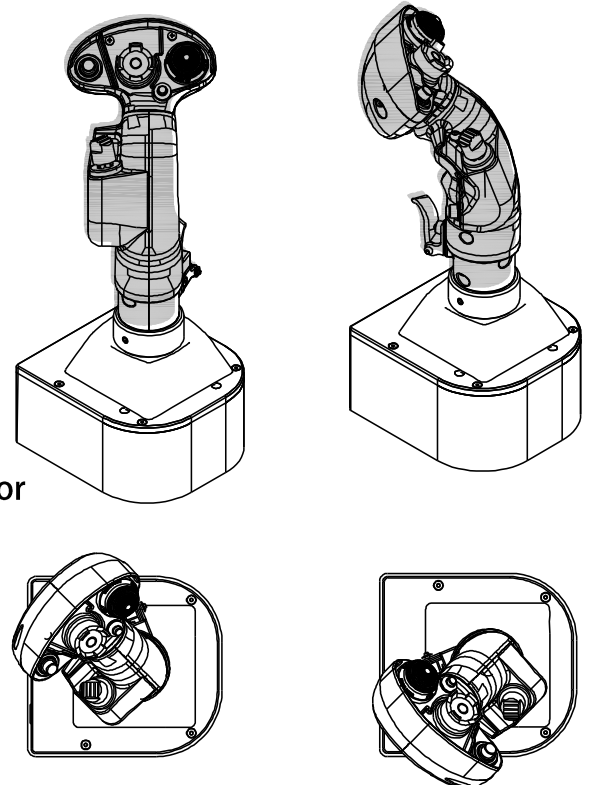
J2 Grip and base don't have any angular restrictions

It can be attached at any angle. "Picture shows 45 degree off-center install.

(Do not turning any other part except Knurled cover or

you WILL DAMAGE THE CORD LINE !)

Please check Chapter 4 for detailed instruction

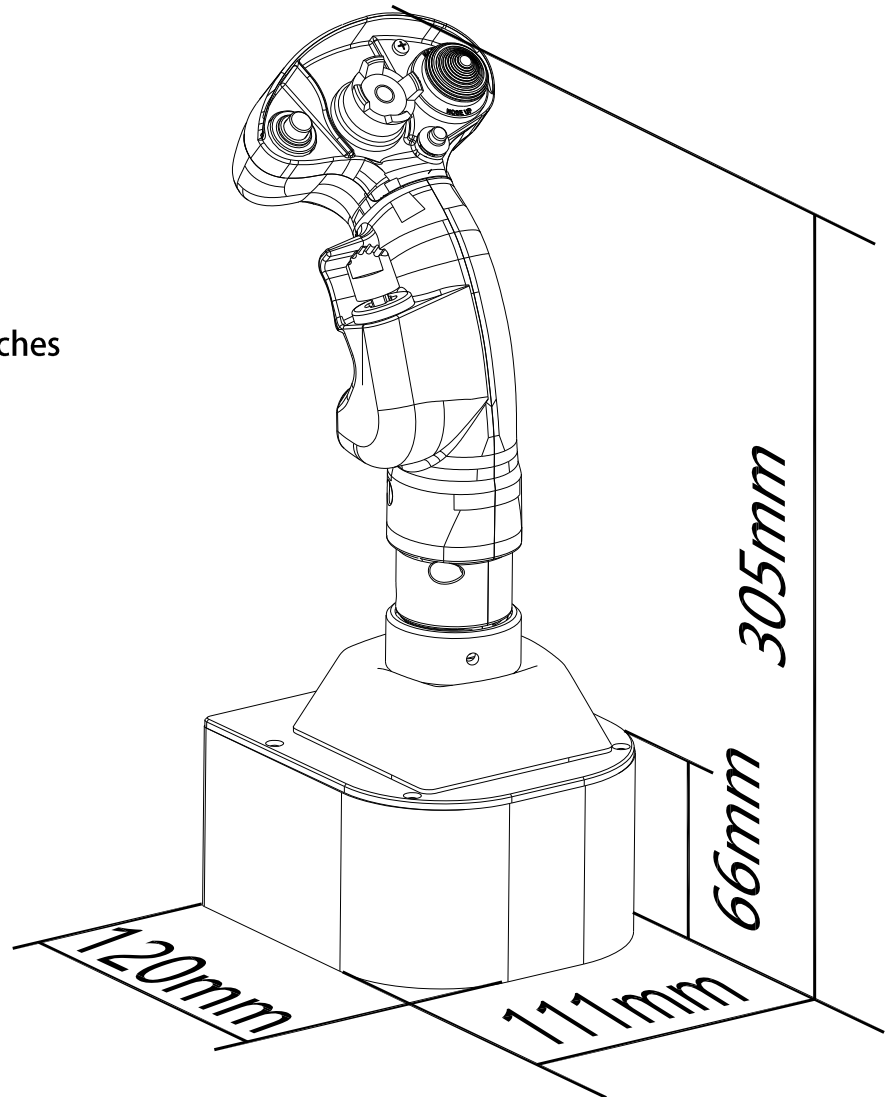


## 2.4 Additional function

More grip incoming,  
please follow our facebook page or Discord for more information

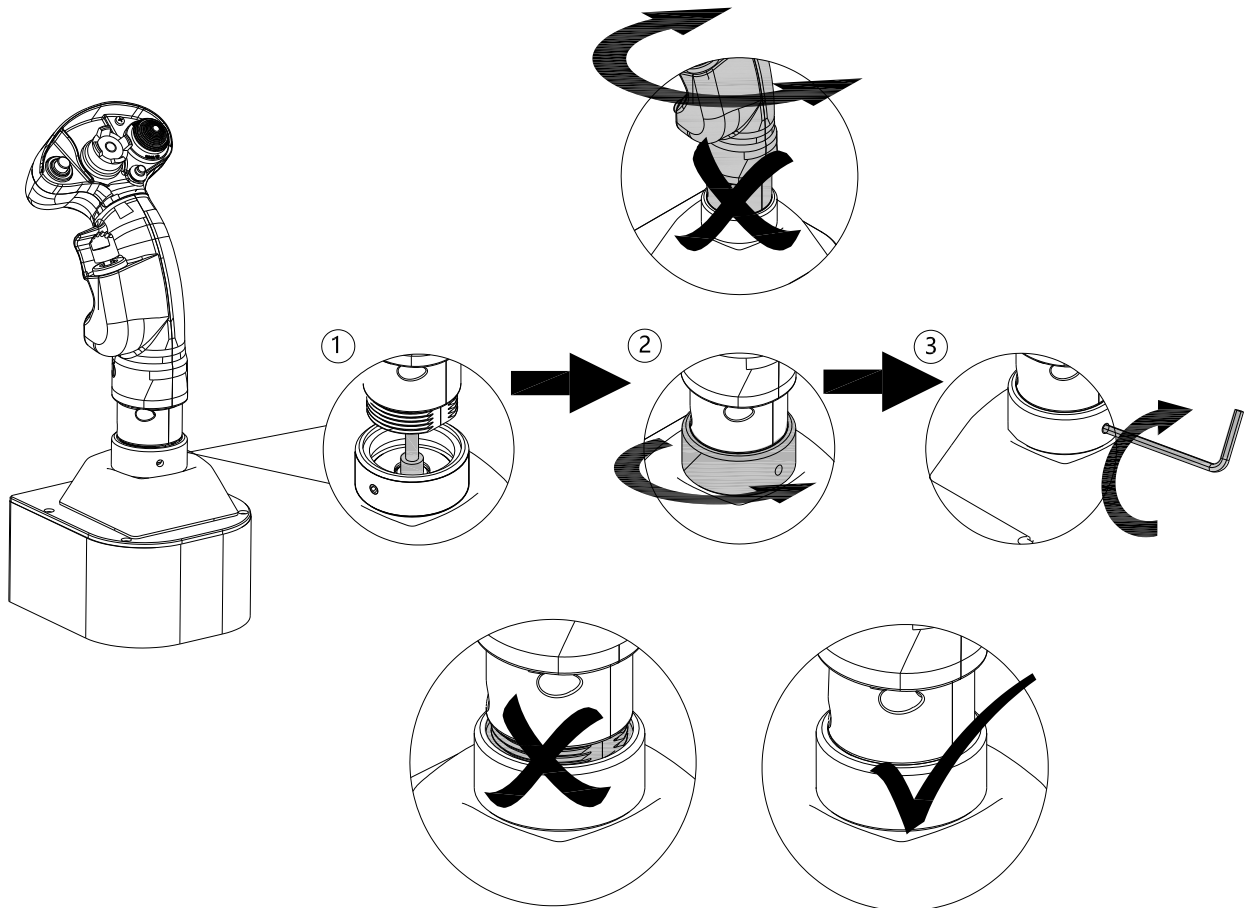
## 3 Dimension

Dimension  
4.3inches\*4.7inches\*12inches  
Total weight 1.5KG(3.3lb)



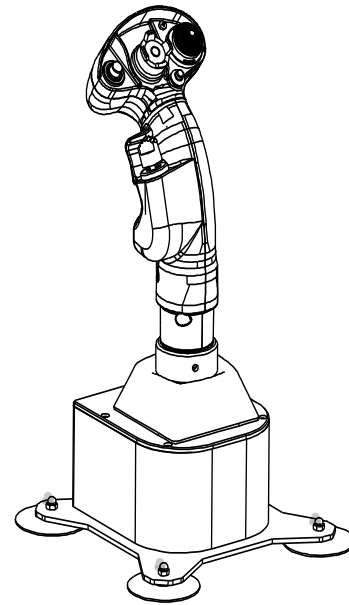
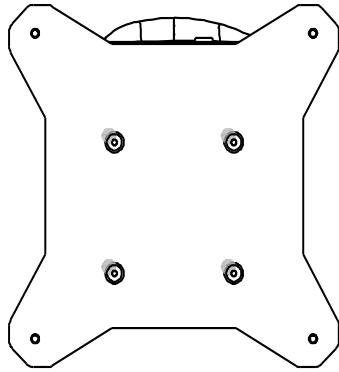
## 4 How to connect

### 4.1 Parts



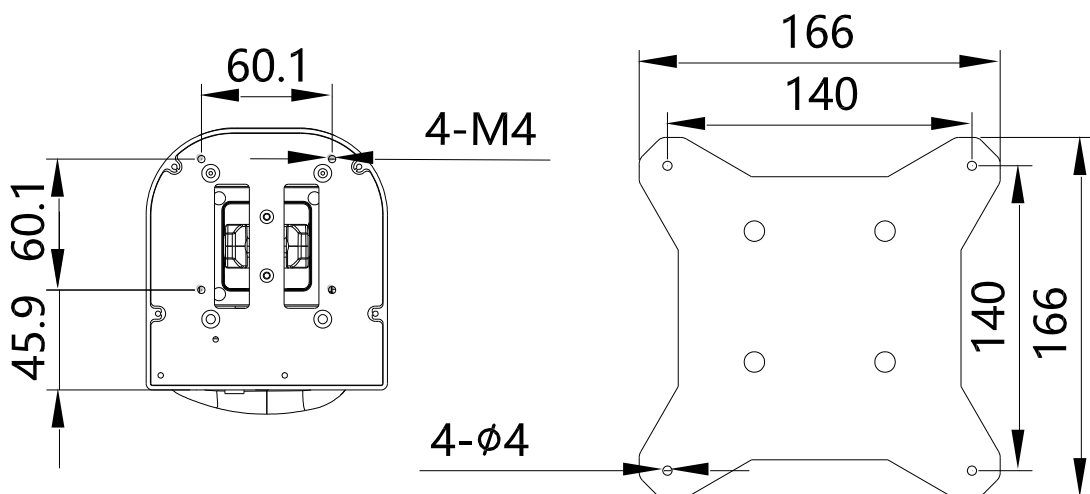
1. Plug in the cord into the base;
2. turning Knurled cover counterclockwise, The Knurled screw should be almost cover the gap after tighten up;
3. Use a wrench to tighten the locking screw.

## 4.2 Connecting base plate.



- Attach base plate with base, be aware the direction of the base plate, wrong direction will cause the uneven surface off center;
- attach the suction cup to the base plate. Tighten up the screw.  
(Clean desktop with clean suction cup is idea for stable base).

## 5 Installation



Bottom screw hole as shown in picture for additional mount if needed. This is the final version of the instruction booklet.

All additional update will be online.

成都翼胜科技有限责任公司

[WWW.WINWING.CN](http://WWW.WINWING.CN)

[INFO@WINWING.CN](mailto:INFO@WINWING.CN)

成都市郫都区现代工业港长生桥路 1111 号 19 栋